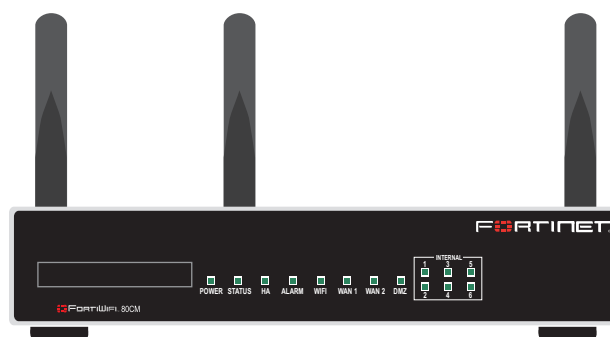


| LED | State | Description |
|---------------------------|----------------|--|
| Power | Green | The FortiGate unit is on. |
| | Off | The FortiGate unit is off. |
| Status | Flashing Green | The FortiGate unit is starting up. |
| | Green | The FortiGate unit is running normally. |
| | Red | Modem is in use and connected. |
| Internal, DMZ, WAN1, WAN2 | Green | The correct cable is in use and the connected equipment has power. |
| | Flashing Green | Network activity at this interface. |
| | Off | No link established. |
| HA | Green | The FortiGate unit being used in an HA cluster. |
| Alarm | Red | A critical error has occurred. |
| | Amber | A minor error has occurred. |
| | Off | No errors detected. |
| WiFi | Flashing Green | Flashing when wireless port active. |



© Copyright 2010 Fortinet Incorporated. All rights reserved. Products mentioned in this document are trademarks or registered trademarks of their respective holders. Regulatory Compliance FCC Class B Part 15 CSA/CUS 12 March 2010

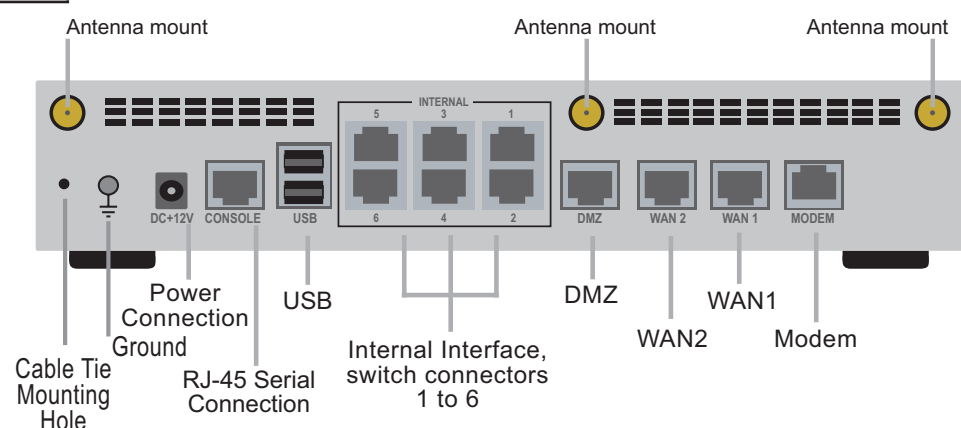
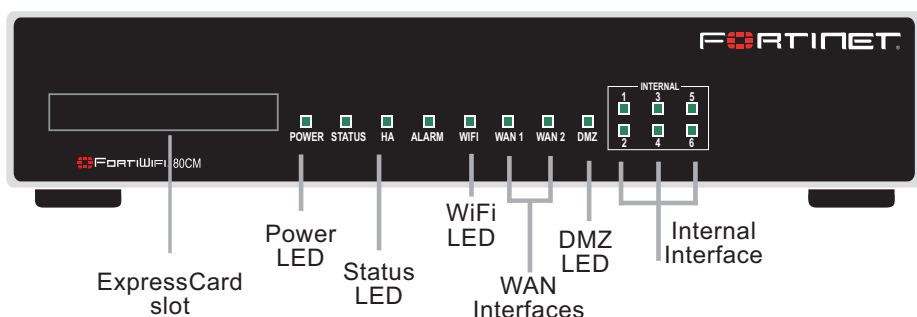
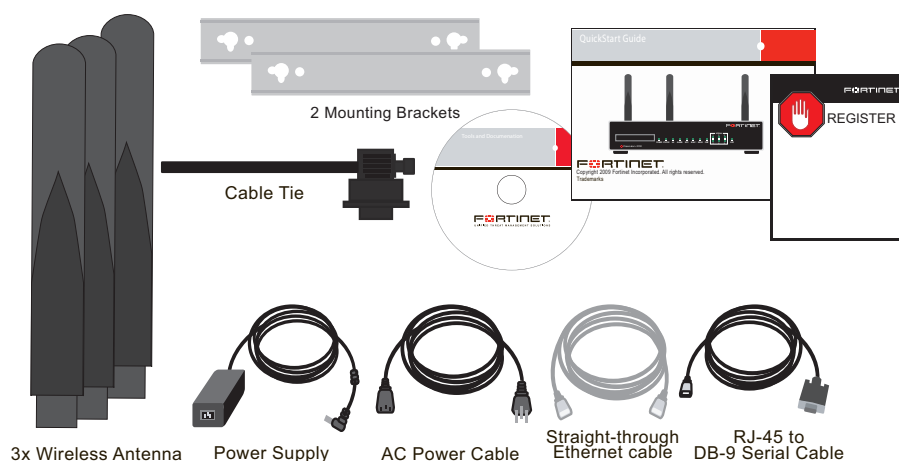
01-412-89807-20090615

Visit these links for more information and documentation for your Fortinet product.

- Technical Documentation - <http://docs.forticare.com>
- Fortinet Knowledge Center - <http://kc.forticare.com>
- Fortinet Technical Support - <http://support.fortinet.com>
- Training Services - <http://campus.training.fortinet.com>

Package Contents

| Interface | Type | Speed | Protocol | Description |
|-------------------|----------------------------------|--------------------|----------|--|
| Internal | RJ-45 | 10/100 Base-T | Ethernet | A 6-port switch connection for up to four devices or the internal network. |
| WAN1 and WAN2 | RJ-45 | 10/100/1000 Base-T | Ethernet | Redundant connections to the Internet. |
| DMZ | RJ-45 | 10/100 Base-T | Ethernet | Optional connection to a DMZ network or to other FortiGate-80CM units for high availability (HA). |
| Console | RJ-45 | 9600 Bps 8/N/1 | RS-232 | Optional connection to the management computer. Provides access to the command line interface (CLI). |
| USB | USB | | USB | Two optional connections for the USB key, modem, or backup operation. |
| Modem | RJ-11 | | | Phone line for modem. |
| Express-Card slot | Express-Card/34, Express-Card/54 | | | The Universal ExpressCard slot adds wireless communications. |



Connecting

Before you begin

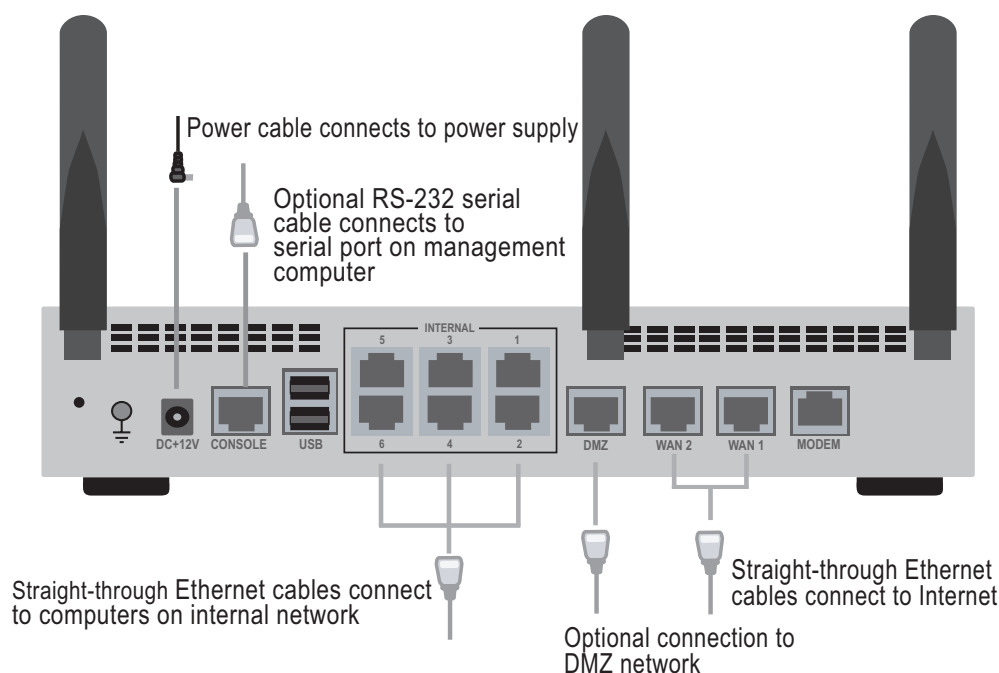
- Attach the wireless antennae to the back of the FortiWiFi unit.
- If using the wall-mount kit remove the rubber feet before attaching the wall mount brackets.

Connect the following to the FortiWiFi unit. Ensure the FortiWiFi unit is placed on a stable surface.

- Insert a network cable to WAN1. Insert the other end to the router connected to the Internet, or to the modem.
- Connect a network cable to the Internal port 1, 2 and 3.
- Insert the other end to a computer or switch.
- Connect the AC Power Cable to the Power Supply.
- Connect the Power Cord to a surge protected power bar or power supply.
- Insert the pointed end of the cable tie into the hole in the rear panel of the chassis to anchor the cable tie to the chassis.
- Loop the loose end around the adapter cable and insert the loose end into the locking latch.
- Pull the loose end to adjust the tightness of the loop around the adapter cable to prevent cable from being accidentally pulled out the FortiWiFi unit.

Optional

Insert the ExpressCard (not supplied) into the ExpressCard 3G slot.



Configuration Tools

Web-based manager

The FortiGate web-based manager is an easy to use management tool. Use it to configure the administrator password, the interface and default gateway addresses, and the DNS server addresses.

Requirements:

- An Ethernet connection between the FortiGate unit and management computer.
- A web browser such as FireFox or Internet Explorer on the management computer.

Command Line Interface (CLI)

The CLI is a full-featured management tool. Use it to configure the administrator password, the interface addresses, the default gateway address, and the DNS server addresses. To configure advanced settings, see the Tools and Documentation CD included with the FortiGate unit.

Requirements:

- The RJ-45 to DB9 serial connection between the FortiGate unit and management computer.
- A terminal emulation application (HyperTerminal for Windows) on the management computer.

NAT/Route Mode

| | | |
|----------|----------|-------|
| Internal | IP: | _____ |
| | Netmask: | _____ |
| WAN1 | IP: | _____ |
| | Netmask: | _____ |
| WAN2 | IP: | _____ |
| | Netmask: | _____ |
| DMZ | IP: | _____ |
| | Netmask: | _____ |

The internal interface IP address and netmask must be valid for the internal network.

Transparent mode

| | | |
|----------------|----------|-------|
| Management IP: | IP: | _____ |
| | Netmask: | _____ |

The management IP address and netmask must be valid for the network from which you will manage the FortiGate unit.

General settings

| | | |
|-------------------------|-----------------------|-------|
| Administrator password: | _____ | |
| Network Settings: | Default Gateway: | _____ |
| | Primary DNS Server: | _____ |
| | Secondary DNS Server: | _____ |

A default gateway is required for the FortiGate unit to route connections to the Internet.

Factory default settings

| NAT/Route mode | | Transparent mode | |
|-----------------------------------|----------------------------------|--|---------|
| Internal interface | 192.168.1.99 | Management IP | 0.0.0.0 |
| WAN1 interface | 192.168.100.99 | Administrative account settings | |
| WAN2 interface | 192.168.101.99 | User name | admin |
| DHCP server on Internal interface | 192.168.1.110 – 192.168.1.210 | Password | (none) |

To reset the FortiGate unit to the factory defaults, in the CLI type the command
`execute factory reset`

Configuring

NAT/Route mode

You would typically use NAT/Route mode when the FortiGate unit is deployed as a gateway between private and public networks. In its default NAT/Route mode configuration, the unit functions as a firewall. Firewall policies control communications through the FortiGate unit.

Transparent mode

You would typically use the FortiGate unit in Transparent mode on a private network behind an existing firewall or behind a router. In its default Transparent mode configuration, the unit functions as a firewall.

Web-based Manager

1. Connect the FortiGate internal interface to a management computer Ethernet interface. Use a cross-over Ethernet cable to connect the devices directly. Use straight-through Ethernet cables to connect the devices through a hub or switch.
2. Configure the management computer to be on the same subnet as the internal interface of the FortiGate unit. To do this, change the IP address of the management computer to 192.168.1.2 and the netmask to 255.255.255.0.
3. To access the FortiGate web-based manager, start Internet Explorer and browse to <https://192.168.1.99> (remember to include the “s” in https://).
4. Type admin in the Name field and select Login.

NAT/Route mode

To change the administrator password

1. Go to **System > Admin > Administrators**.
2. Select Change Password for the admin administrator and enter a new password.

To configure interfaces

1. Go to **System > Network > Interface**.
2. Select the edit icon for each interface to configure.
3. Set the addressing mode for the interface. (See the online help for information.)
 - For manual addressing, enter the IP address and netmask for the interface.
 - For DHCP addressing, select DHCP and any required settings.
 - For PPPoE addressing, select PPPoE, and enter the username and password and any other required settings.

To configure the Primary and Secondary DNS server IP addresses

1. Go to **System > Network > Options**, enter the Primary and Secondary DNS IP addresses that you recorded above and select Apply.

To configure a Default Gateway

1. Go to **Router > Static** and select Edit icon for the static route.
2. Set Gateway to the Default Gateway IP address you recorded above and select OK.

Transparent mode

To switch from NAT/route mode to transparent mode

1. Go to **System > Config > Operation Mode** and select Transparent.
2. Set the Management IP/Netmask to 192.168.1.99/24.
3. Set a default Gateway and select Apply.

To change the administrator password

1. Go to **System > Admin > Administrators**.
2. Select Change Password for the admin administrator and enter a new password.

To change the management interface

1. Go to **System > Config > Operation Mode**.
2. Enter the Management IP address and netmask that you recorded above and select Apply.

To configure the Primary and Secondary DNS server IP addresses

1. Go to **System > Network > Options**, enter the Primary and Secondary DNS IP addresses that you recorded above and select Apply.

Refer to the Tools and Documentation CD for information on how to control traffic, and how to configure HA, antivirus protection, FortiGuard, Web content filtering, Spam filtering, intrusion prevention (IPS), and virtual private networking (VPN).

Command Line Interface

1. Use the RJ-45 to DB9 serial cable to connect the FortiGate Console port to the management computer serial port.
2. Start a terminal emulation program (HyperTerminal) on the management computer. Use these settings:
3. Baud Rate (bps) 9600, Data bits 8, Parity None, Stop bits 1, and Flow Control None.
4. At the Login: prompt, type admin and press Enter twice (no password required).

NAT/Route mode

1. Configure the FortiGate internal interface.

```
config system interface
    edit internal
        set ip <interface_ipv4mask>
    end
```
2. Repeat to configure each interface, for example, to configure the WAN1 interface.

```
config system interface
    edit wan1
        ...
```
3. Configure the primary and secondary DNS server IP addresses.

```
config system dns
    set primary <dns_ipv4>
    set secondary <dns_ipv4>
end
```
4. Configure the default gateway.

```
config router static
    edit 1
        set gateway <gateway_address_ipv4>
    end
```

Transparent Mode

1. Change from NAT/Route mode to Transparent mode and configure the Management IP address.

```
config system settings
    set opmode transparent
    set manageip <manage_ipv4>
    set gateway <gw_ipv4>
end
```
2. Configure the DNS server IP address.

```
config system dns
    set primary <dns_ipv4>
    set secondary <dns_ipv4>
end
```