



# Configuring with FortiExplorer

## FortiExplorer

The FortiExplorer wizard is a software tool used to configure your FortiWifi unit. You can use it to configure your admin password, WAN settings, LAN settings, register your unit with Fortinet. You can also access the web-based manager and the CLI.

### Requirements:

- FortiExplorer installed.
- A connection using the USB B to USB A cable between the FortiWifi unit (USB MGMT port) and management computer (USB port).

## Installing FortiExplorer

Note: It is recommended that the FortiGate unit is using its factory default settings before installing or using FortiExplorer. If the unit needs to be reverted to the default settings, press the Reset button for a few seconds. It may take 4-5 minutes to reboot.

**Caution:** Do not connect the USB cable until after FortiExplorer has been installed.

### To install FortiExplorer

1. Insert the CD included in the package into the CD-ROM drive of the management computer.
2. Select one of the following to install:
  - For Microsoft Windows XP operating systems, click FortiExplorer for Microsoft Windows XP.
  - For Microsoft Windows Vista and 7, click FortiExplorer for Microsoft Vista and Windows 7.
3. Using the USB cable, connect the USB A end of the cable to the Management computer and the USB B end of the cable to the USB MGMT port of the unit.
4. For Microsoft Windows XP operating systems, the New Hardware Wizard opens once the unit is connected to the management computer with the USB cable. Do the following:
  - Select the option "No, not at this time" and click Next.
  - Select "Install the hardware automatically" and click Next. The New Hardware Wizard installs the hardware.
5. The FortiExplorer wizard opens.

## FortiExplorer Wizard

### To set up the FortiWifi unit using the FortiExplorer Wizard

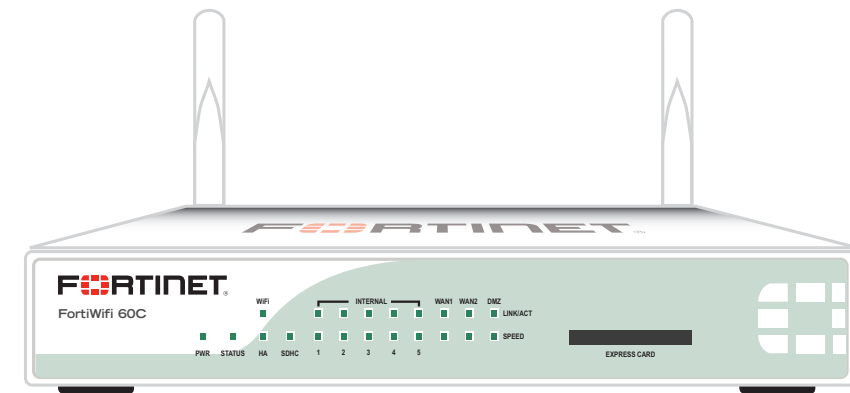
1. In the FortiExplorer main screen, click Setup Wizard.
2. Type `admin` in the username field and click Login. There is no password.
3. In the Change Administrator Password screen, enter a new password and click Next. To leave the password unchanged, leave the password fields empty and click Next.
4. In the Select Time Zone screen, select the correct time zone for your location and click Next.
5. In the WAN Connection Mode screen, select your WAN interface from the list.
6. Select the addressing mode (Static IP, DHCP, or PPPoE) for the WAN interface and click Next.
7. If you selected Static IP, enter the IP address information provided by your internet

service provider (ISP) and click Next.

8. If you selected DHCP, click Obtain Address and click Next.
9. If you selected PPPoE, enter your username and password and click Next.
10. In the LAN Settings screen, enter your LAN IP address information.
11. To enable DHCP server on the LAN, select the check box and enter the IP address range. Click Next.
12. In the Registration screen, enter your registration information and click Next.
13. In the Summary screen, click Finish to save your settings to the unit.
14. Do one of the following:
  - Click Save Summary to save the information as a text file.
  - Click Exit to close FortiExplorer.
  - Go to *Tools > Web-based Manager* or *Tools > Command Line Interface*.

For more information about using Web Config and the CLI, see the *Install Guide*.

# FortiWifi-60C



AC Power Required	12VDC 1.5A
Network Interfaces	5 10/100/1000 Ethernet Internal ports 1 10/100 DMZ port 2 10/100 WAN ports 1 USB A port 1 USB B port
WiFi	802.11 a/b/g/n
Express Card Slot	1 3G (not supplied)
SD Card Slot	1 4GB to 32GB Class 6 or higher (1 4GB card installed)

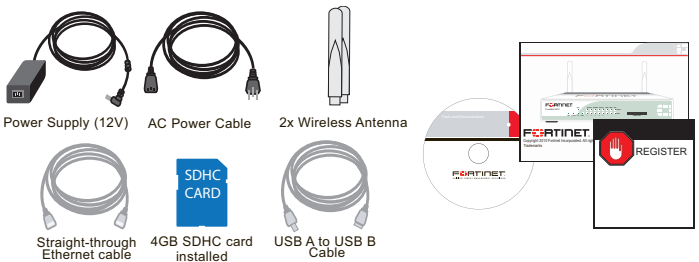
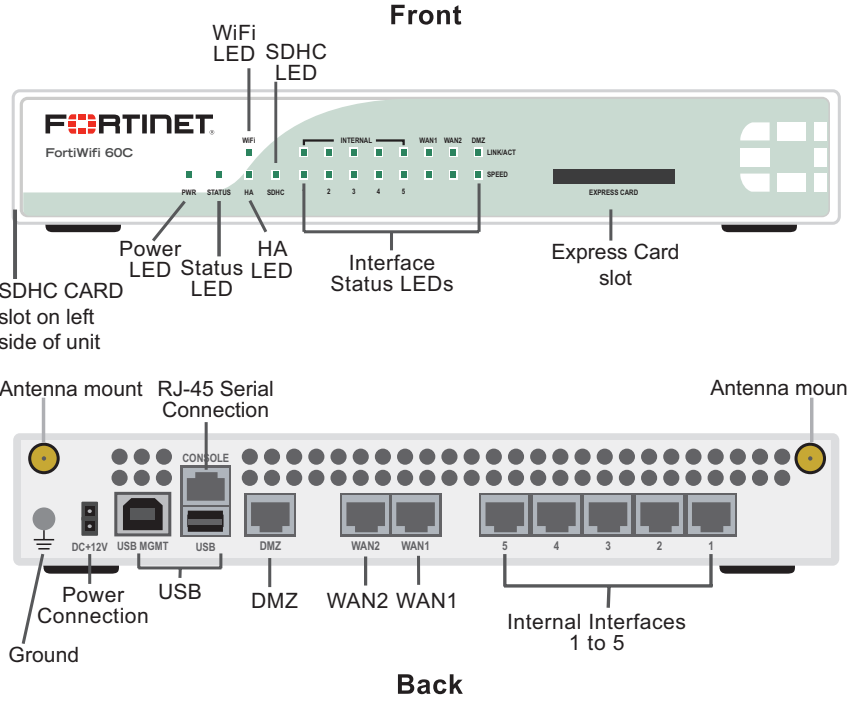
# FORTINET®

© Copyright 2010 Fortinet Incorporated. All rights reserved.  
 Products mentioned in this document are trademarks or registered trademarks of their respective holders.  
 Regulatory Compliance  
 FCC Class A Part 15, / CE Mark  
 22 June 2010

Visit these links for more information and documentation for your Fortinet product:

Technical Documentation - <http://docs.fortinet.com> Fortinet Knowledge Center - <http://kb.fortinet.com>  
 Technical Support - <http://support.fortinet.com> Training Services - <http://campus.training.fortinet.com>

# Package Contents



# Factory Defaults

Administrator user name	admin
Administrator password	(none)
<b>NAT/Route mode</b>	
Internal interface	192.168.1.99
WAN1	192.168.100.99
WAN2	192.168.101.99

To reset the FortiGate unit to the factory defaults, press the Reset button or type in the CLI command:

```
execute factoryreset
```

It may take 4-5 minutes to reboot the unit.

# LED Description

LED	State	Description	
Power	Green	The unit is on.	
	Off	The unit is off.	
Status	Flashing Green	The unit is starting up.	
	Green	The unit is running normally.	
HA	Green	The unit being used in an HA cluster.	
SDHC	Green	SDHC card is inserted and detected.	
	Flashing Green	Data is reading from or writing to the SDHC card.	
Ports 1 to 5	LINK/ACT	Green	Port is online (link).
		Flashing Green	Port is receiving or sending data (activity).
	Speed	Green	Connected at 1000 Mbps.
		Amber	Connected at 100 Mbps.
		Off	Connected at 10 Mbps.
	WAN1, WAN2, and DMZ	LINK/ACT	Green
Flashing Green			Port is receiving or sending data (activity).
Speed		Amber	Connected at 100 Mbps.
		Off	Connected at 10 Mbps.
WiFi	Flashing Green	Wireless port is active.	
	Off	Wireless port is not active.	

# Connecting

Attach the antennae to the back of the FortiWifi unit. Refer to the wall mount template to attach your unit to a wall.

Connect the following to the FortiWifi unit. Ensure the FortiWifi unit is placed on a stable surface.

- Insert a network cable to WAN1. Insert the other end to the router connected to the Internet, or to the modem.
- Connect a network cable to an internal interface.
- Insert the other end to a computer or switch.
- Connect the AC Power Cable to the Power Supply.
- Connect the Power Cord to a surge protected power bar or power supply.

### ExpressCard

Insert the ExpressCard (not supplied) into the ExpressCard 3G slot.

# Interface Description

Interface	Type	Speed	Protocol	Description
Internal	RJ-45	10/100/1000 Base-T	Ethernet	A 5-port switch connection for the internal network.
WAN1 and WAN2	RJ-45	10/100 Base-T	Ethernet	Redundant connections to the Internet.
DMZ	RJ-45	10/100 Base-T	Ethernet	Optional connection to a DMZ network or to other FortiGate units for high availability (HA).
Console	RJ-45	9600 Bps 8/N/1	RS-232	Optional connection to the management computer. Provides access to the command line interface (CLI).
USB	USB A		USB	Optional connection for the USB key, modem, or backup operation.
USB Management	USB B			Client port for management/configuration by FortiExplorer.
Express-Card slot	Express-Card/34			The Universal ExpressCard slot adds wireless communications. Not supplied.
SDHC CARD	4GB, 8GB, 16GB, or 32GB SDHC	Class 6 or higher		SDHC card slot for storage or required applications. To utilize all features, a minimum size of 16GB is required. Maximum size 32GB. One 4GB card installed.

# SDHC Cards

The FortiWifi-60C unit comes with a 4GB SDHC installed. Follow the steps below to install new SDHC card in the unit. Ensure to format the SDHC card after installation into the unit.

To install a new SDHC card in the unit:

1. **Power down the unit by unplugging the AC power cable from the outlet** to insert or remove the SDHC card. The SDHC card is **NOT** hot swappable.
2. The SDHC slot is located on left side of unit. To open, remove the two screws from the SDHC CARD panel.
3. To remove a SDHC card, press the card in and it will eject itself from the slot.
4. Insert the SDHC card (32GB maximum capacity, Class 6 or higher) into the SDHC CARD slot.
5. Replace the SDHC CARD panel and tighten screws.
6. Plug the AC cable back into the outlet and login to the web-based manager.
7. In the CLI console, type `exec formatlogdisk` to format the SDHC card.