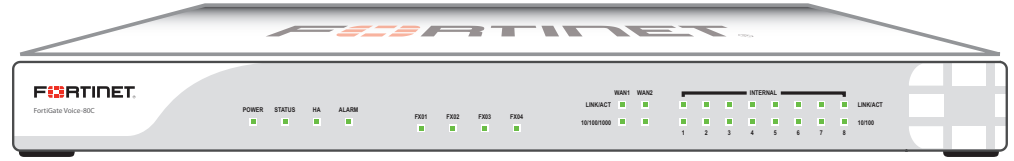


LED	State	Description	
Power	Green	The unit is on.	
	Off	The unit is off.	
Status	Flashing Green	The unit is starting up.	
	Green	The unit is running normally.	
Ports 1 to 8	LINK/ACT	Green	Port is online (link).
		Flashing	Port is receiving or sending data (activity).
	10/100	Amber	Connected at 100 Mbps.
		Off	Connected at 10 Mbps.
HA	Green	The unit being used in an HA cluster.	
Alarm	Red	A critical error has occurred.	
	Amber	A minor error has occurred.	
	Off	No errors detected.	
WAN1, WAN2	LINK/ACT	Green	Port is online (link).
		Flashing	Port is receiving or sending data (activity).
	10/100/1000	Green	Connected at 1000Mbps.
		Amber	Connected at 100 Mbps.
Off		Connected at 10 Mbps.	
FXO1 to FXO4	Green	Administrative status is up.	
	Off	Administrative status is down.	



© Copyright 2009 Fortinet Incorporated. All rights reserved.
 Products mentioned in this document are trademarks or registered trademarks of their respective holders.
 Regulatory Compliance
 FCC Class B Part 15 CSA/CUS
 25 September 2009

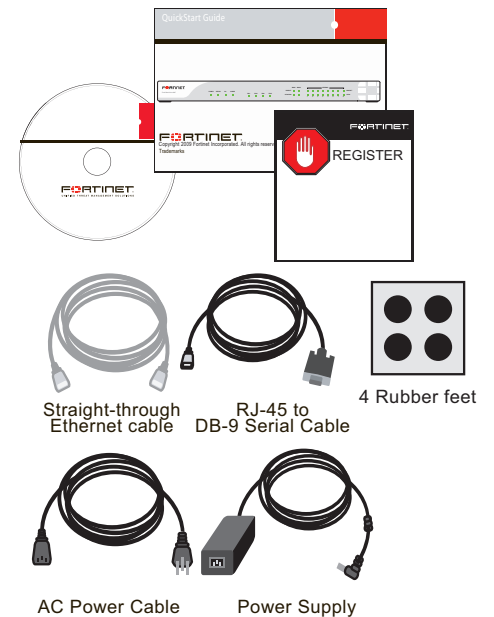
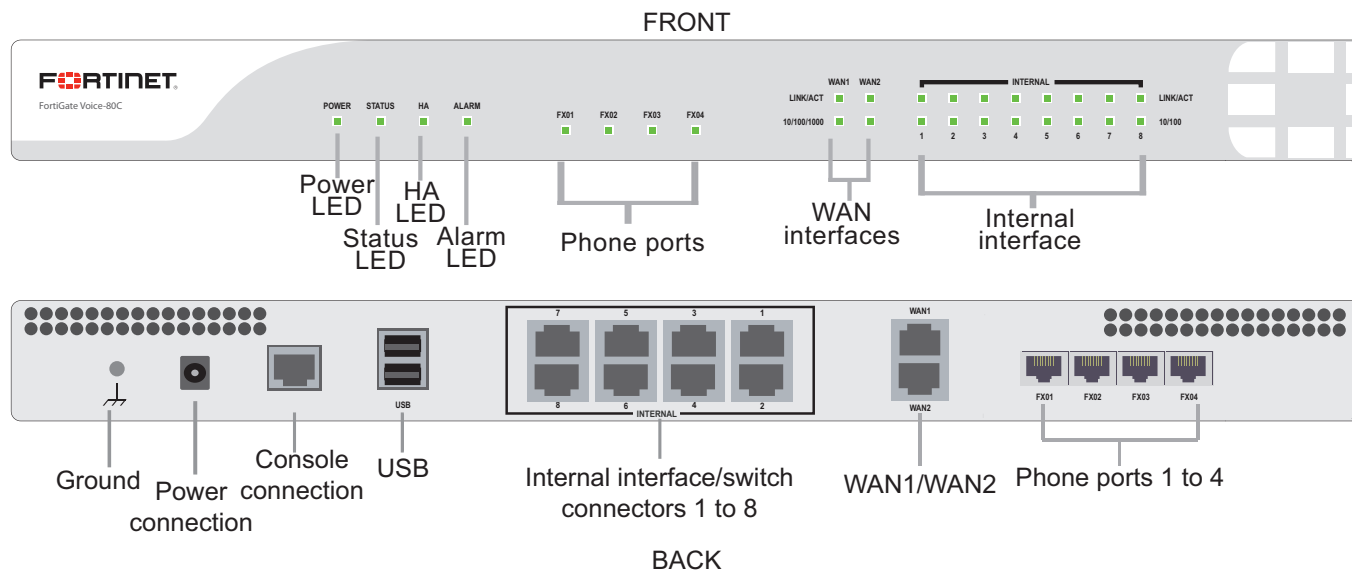
01-40000-111139-20090925

Visit these links for more information and documentation for your Fortinet product:

- Technical Documentation - <http://docs.fortinet.com>
- Fortinet Technical Support - <http://support.fortinet.com>
- Training Services - <http://campus.training.fortinet.com>
- Fortinet Knowledge Center - <http://kb.fortinet.com>

Package Contents

Interface	Type	Speed	Protocol	Description
Ports 1 to 8	RJ-45	10/100 Base-T	Ethernet	An eight-port switch connection for the internal network.
WAN1 and WAN2	RJ-45	10/100/1000 Base-T	Ethernet	Redundant connections to the Internet.
Console	RJ-45	9600 Bps 8/N/1	RS-232	Optional connection to the management computer. Provides access to the command line interface (CLI).
USB	USB		USB	Two optional connections for the USB key, modem, or backup operation.
FXO1 to FXO4	RJ-11			Four phone ports.



Connecting

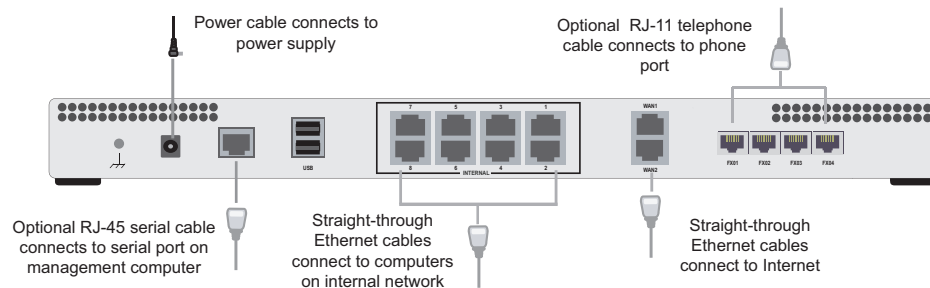
Ensure the FortiGate unit is placed on a stable surface. Connect the following to the FortiGate unit:

- Insert a network cable to WAN1. Insert the other end to the router connected to the Internet, or to the modem.
- Connect a network cable to an Internal port (ports 1 to 8). Insert the other end to a computer or switch.
- Connect the AC Power Cable to the Power Supply.
- Connect the Power Cord to a surge protected power bar or power supply.

Caution: Power supply voltage is 90-240 VAC.

- Optionally, connect an RJ-45 serial cable into the Console port and insert the other end into the management computer.
- Optionally, connect an RJ-11 telephone cable to a phone port (FXO1 to FXO4) and insert the other end into the public switched telephone network (PSTN).

CAUTION: To reduce the risk of fire, use only No. 26 AWG or larger telecommunication line cord.



Configuration Tools

Web Config

The FortiGate Web Config is an easy to use management tool. Use it to configure the administrator password, the interface and default gateway addresses, and the DNS server addresses.

Requirements:

- An Ethernet connection between the FortiGate unit and management computer.
- A web browser such as FireFox or Internet Explorer on the management computer.

Command Line Interface (CLI)

The CLI is a full-featured management tool. Use it to configure the administrator password, the interface addresses, the default gateway address, and the DNS server addresses. To configure advanced settings, see the Tools and Documentation CD included with the FortiGate unit.

Requirements:

- The RJ-45 to DB9 serial connection between the FortiGate unit and management computer.
- A terminal emulation application (HyperTerminal for Windows) on the management computer.

Collecting Information

NAT/Route Mode

Port 1	IP:	_____
	Netmask:	_____
Port 2	IP:	_____
	Netmask:	_____
Port 3	IP:	_____
	Netmask:	_____
Port 4	IP:	_____
	Netmask:	_____
Port 5	IP:	_____
	Netmask:	_____
Port 6	IP:	_____
	Netmask:	_____
Port 7	IP:	_____
	Netmask:	_____
Port 8	IP:	_____
	Netmask:	_____
WAN1	IP:	_____
	Netmask:	_____
WAN2	IP:	_____
	Netmask:	_____

The internal interface IP address and netmask must be valid for the internal network.

Transparent mode

Management IP:	IP:	_____
	Netmask:	_____

The management IP address and netmask must be valid for the network from which you will manage the FortiGate unit.

General settings

Administrative account settings	User name	admin
	Password	(none)
Network Settings	Default Gateway:	_____
	Primary DNS Server:	_____
	Secondary DNS Server:	_____

A default gateway is required for the FortiGate unit to route connections to the Internet.

Factory default settings

NAT/Route mode	
Internal	192.168.1.99
WAN1	
WAN2	
DHCP server on Internal interface	192.168.1.110 – 192.168.1.210

To reset the FortiGate unit to the factory defaults, in the CLI type the command
`execute factory reset`

Configuring

NAT/Route mode

You would typically use NAT/Route mode when the FortiGate unit is deployed as a gateway between private and public networks. In its default NAT/Route mode configuration, the unit functions as a firewall. Firewall policies control communications through the FortiGate unit.

Transparent mode

You would typically use the FortiGate unit in Transparent mode on a private network behind an existing firewall or behind a router. In its default Transparent mode configuration, the unit functions as a firewall.

Web Config

1. Connect the FortiGate internal interface to a management computer Ethernet interface. Use a cross-over Ethernet cable to connect the devices directly. Use straight-through Ethernet cables to connect the devices through a hub or switch.
2. Configure the management computer to be on the same subnet as the internal interface of the FortiGate unit. To do this, change the IP address of the management computer to 192.168.1.2 and the netmask to 255.255.255.0.
3. To access the FortiGate web-based manager, start Internet Explorer and browse to <https://192.168.1.99> (remember to include the "s" in https://).
4. Type admin in the Name field and select Login.

NAT/Route mode

To change the administrator password

1. Go to **System > Admin > Administrators**.
2. Select Change Password for the admin administrator and enter a new password.

To configure interfaces

1. Go to **System > Network > Interface**.
2. Select the edit icon for each interface to configure.
3. Set the addressing mode for the interface. (See the online help for information.)
 - For manual addressing, enter the IP address and netmask for the interface.
 - For DHCP addressing, select DHCP and any required settings.
 - For PPPoE addressing, select PPPoE, and enter the username and password and any other required settings.

To configure the Primary and Secondary DNS server IP addresses

1. Go to **System > Network > Options**, enter the Primary and Secondary DNS IP addresses that you recorded above and select Apply.

To configure a Default Gateway

1. Go to **Router > Static** and select Edit icon for the static route.
2. Set Gateway to the Default Gateway IP address you recorded above and select OK.

Transparent mode

To switch from NAT/route mode to transparent mode

1. Go to **System > Config > Operation Mode** and select Transparent.
2. Set the Management IP/Netmask to 192.168.1.99/24.
3. Set a default Gateway and select Apply.

To change the administrator password

1. Go to **System > Admin > Administrators**.
2. Select Change Password for the admin administrator and enter a new password.

To change the management interface

1. Go to **System > Config > Operation Mode**.
2. Enter the Management IP address and netmask that you recorded above and select Apply.

To configure the Primary and Secondary DNS server IP addresses

1. Go to **System > Network > Options**, enter the Primary and Secondary DNS IP addresses that you recorded above and select Apply.

Command Line Interface

1. Use the RJ-45 to DB9 serial cable to connect the FortiGate Console port to the management computer serial port.
2. Start a terminal emulation program (HyperTerminal) on the management computer. Use these settings:
3. Baud Rate (bps) 9600, Data bits 8, Parity None, Stop bits 1, and Flow Control None.
4. At the Login: prompt, type admin and press Enter twice (no password required).

NAT/Route mode

1. Configure the FortiGate internal interface.


```
config system interface
  edit internal
    set ip <interface_ipv4mask>
  end
```
2. Repeat to configure each interface, for example, to configure the WAN1 interface.


```
config system interface
  edit wan1
    ...
```
3. Configure the primary and secondary DNS server IP addresses.


```
config system dns
  set primary <dns_ipv4>
  set secondary <dns_ipv4>
end
```
4. Configure the default gateway.


```
config router static
  edit 1
    set gateway <gateway_address_ipv4>
  end
```

Transparent Mode

1. Change from NAT/Route mode to Transparent mode and configure the Management IP address.


```
config system settings
  set opmode transparent
  set manageip <manage_ipv4>
  set gateway <gw_ipv4>
end
```
2. Configure the DNS server IP address.


```
config system dns
  set primary <dns_ipv4>
  set secondary <dns_ipv4>
end
```

Configuring PBX Features

Use Web Config to configure the PBX features below. You will need to configure the following PBX features:

- PSTN Interfaces to establish connection with the telephone network and the FortiGate unit.
- VoIP Provider that provides digital telephone service that uses the Internet for call transport.
- Dial Plan to determine the expected number and pattern of digits for a telephone number. This includes country codes, area codes, and any combination of digits dialed. Dial plans must comply with the telephone networks to which they connect.

Note that this is only basic configuration information. For more information on configuring the PBX features, see the *FortiGate Administration Guide*.

To set the PSTN Interfaces

1. Go to **System > Network > PSTN Interface** tab.
2. Select one of the fxo ports and click the Edit icon to set up the interface.

To set the VoIP Provider

1. Go to **PBX > Config > VoIP Provider** tab.
2. Create a VoIP provider and configure the properties.

To set the Dial Plan

1. Go to **PBX > Call > Dial Plan** tab.
2. Create a new Dial Plan and apply the PSTN Interfaces and/or VoIP Provider to the pattern of digits and the telephone network.