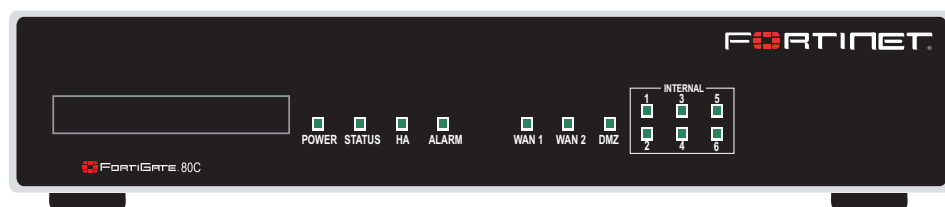


LED	State	Description
Power	Green	The FortiGate unit is on.
	Off	The FortiGate unit is off.
Status	Green Flashing	The FortiGate unit is starting up.
	Green	The FortiGate unit is running normally.
	Red	Modem is in use and connected.
Internal, DMZ, WAN1, WAN2	Green	The correct cable is in use and the connected equipment has power.
	Green Flashing	Network activity at this interface.
	Off	No link established.
HA	Green	The FortiGate unit being used in an HA cluster.
Alarm	Red	A critical error has occurred.
	Amber	A minor error has occurred.
	Off	No errors detected.



Visit these links for more information and documentation for your Fortinet product.

- Technical Documentation - <http://docs.fortinet.com>
- Fortinet Knowledge Center - <http://kb.fortinet.com>
- Fortinet Technical Support - <http://support.fortinet.com>
- Training Services - <http://campus.training.fortinet.com>

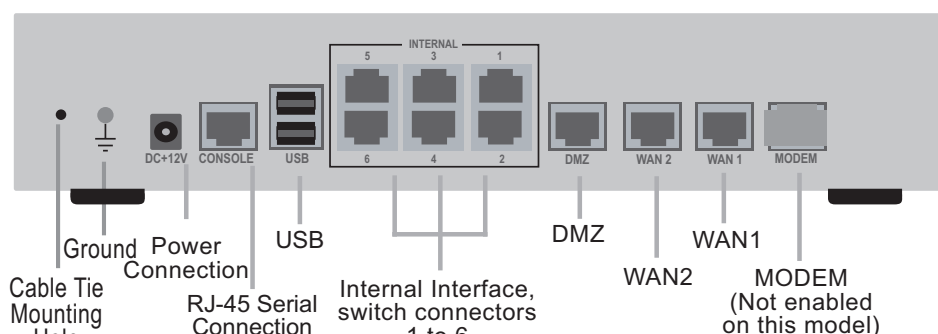
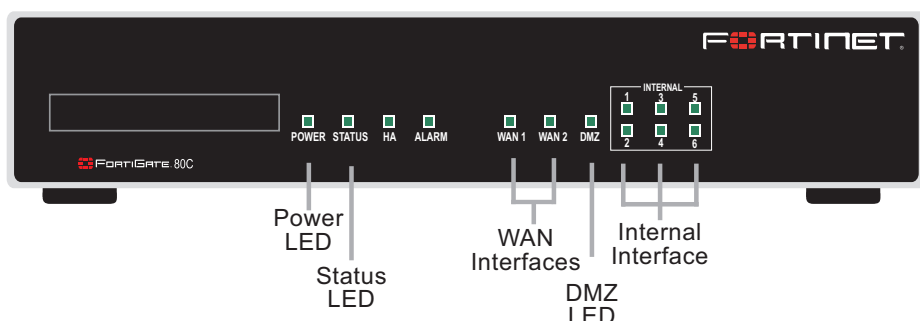
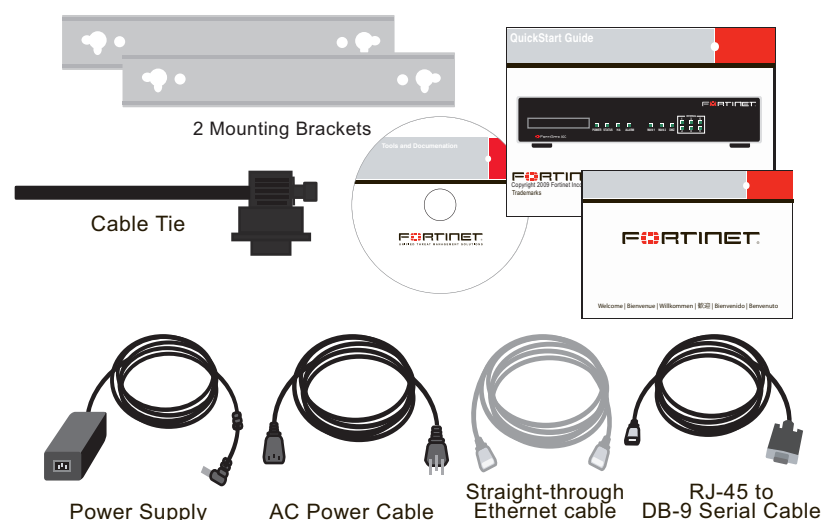


© Copyright 2010 Fortinet Incorporated. All rights reserved.
 Products mentioned in this document are trademarks or registered trademarks of their respective holders.
 Regulatory Compliance
 FCC Class B Part 15 CSA/CUS
 4 July 2010

01-412-89805-20090615

Package Contents

Interface	Type	Speed	Protocol	Description
Internal	RJ-45	10/100 Base-T	Ethernet	A 6-port switch connection for up to six devices or the internal network.
WAN1 and WAN2	RJ-45	10/100/1000 Base-T	Ethernet	Redundant connections to the Internet.
DMZ	RJ-45	10/100 Base-T	Ethernet	Optional connection to a DMZ network or to other FortiGate-80C units for high availability (HA).
Console	RJ-45	9600 Bps 8/N/1	RS-232	Optional connection to the management computer. Provides access to the command line interface (CLI).
USB	USB		USB	Two optional connections for the USB key, modem, or backup operation.
Modem	RJ-11			Not enabled for this model.
Express-Card slot	Express-Card/34, Express-Card/54			The Universal ExpressCard slot adds wireless communications.



Connecting

Before you begin

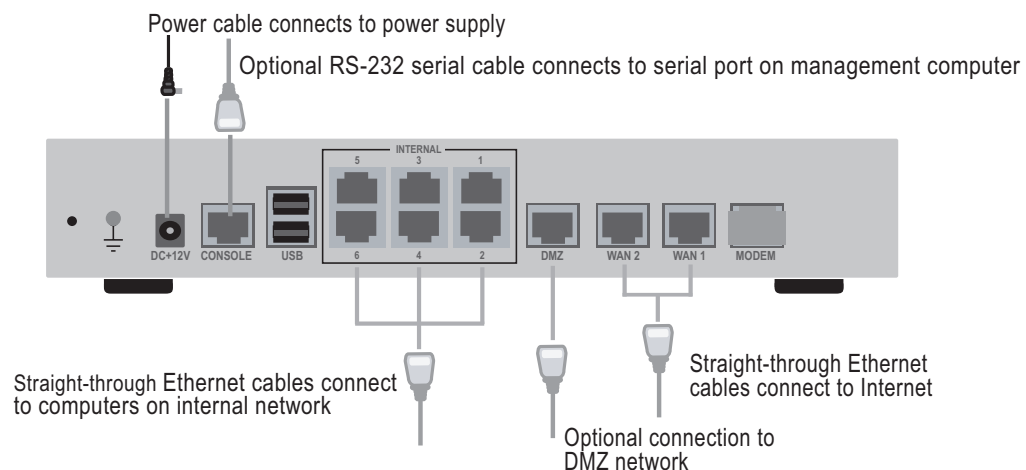
If using the wall-mount kit, remove the rubber feet before attaching the wall mount brackets.

Connect the following to the FortiGate unit. Ensure the FortiGate unit is placed on a stable surface.

- Insert a network cable to WAN1. Insert the other end to the router connected to the Internet, or to the modem.
- Connect a network cable to the Internal port 1, 2, and 3.
- Insert the other end to a computer or switch.
- Connect the AC Power Cable to the Power Supply.
- Connect the Power Cord to a surge protected power bar or power supply.
- Insert the pointed end of the cable tie into the hole in the rear panel of the chassis to anchor the cable tie to the chassis.
- Loop the loose end around the adapter cable and insert the loose end into the locking latch.
- Pull the loose end to adjust the tightness of the loop around the adapter cable to prevent cable from being accidentally pulled out the FortiGate unit.

Optional

Insert the ExpressCard (not supplied) into the ExpressCard 3G slot.



Configuration Tools

Web-based manager

The FortiGate web-based manager is an easy to use management tool.

Use it to configure the administrator password, the interface and default gateway addresses, and the DNS server addresses.

Requirements:

- An Ethernet connection between the FortiGate unit and management computer.
- A web browser such as FireFox or Internet Explorer on the management computer.

Command Line Interface (CLI)

The CLI is a full-featured management tool. Use it to configure the administrator password, the interface addresses, the default gateway address, and the DNS server addresses. To configure advanced settings, see the Tools and Documentation CD included with the FortiGate unit.

Requirements:

- The RJ-45 to DB9 serial connection between the FortiGate unit and management computer.
- A terminal emulation application (HyperTerminal for Windows) on the management computer.

NAT/Route Mode

Internal	IP:	_____
	Netmask:	_____
WAN1	IP:	_____
	Netmask:	_____
WAN2	IP:	_____
	Netmask:	_____
DMZ	IP:	_____
	Netmask:	_____

The internal interface IP address and netmask must be valid for the internal network.

General settings

Administrator password:		
Network Settings:	Default Gateway:	_____
	Primary DNS Server:	_____
	Secondary DNS Server:	_____

A default gateway is required for the FortiGate unit to route connections to the Internet.

Configuring

NAT/Route mode

You would typically use NAT/Route mode when the FortiGate unit is deployed as a gateway between private and public networks. In its default NAT/Route mode configuration, the unit functions as a firewall. Firewall policies control communications through the FortiGate unit.

Transparent mode

You would typically use the FortiGate unit in Transparent mode on a private network behind an existing firewall or behind a router. In its default Transparent mode configuration, the unit functions as a firewall.

Web-based Manager

1. Connect the FortiGate MGMT1 interface to a management computer Ethernet interface. Use a cross-over Ethernet cable to connect the devices directly. Use straight-through Ethernet cables to connect the devices through a hub or switch.
2. Configure the management computer to be on the same subnet as the MGMT1 interface of the FortiGate unit. To do this, change the IP address of the management computer to 192.168.1.2 and the netmask to 255.255.255.0.
3. To access the FortiGate web-based manager, start a web browser and type the address `http://192.168.1.99`
4. Type `admin` in the Name field and click Login.

NAT/Route mode

To change the administrator password

1. Go to **System > Admin > Administrators**.
2. Select Change Password for the admin administrator and enter a new password.

To configure interfaces

1. Go to **System > Network > Interface**.
2. Select the edit icon for each interface to configure.
3. Set the addressing mode for the interface. (See the online help for information.)
 - For manual addressing, enter the IP address and netmask for the interface.
 - For DHCP addressing, select DHCP and any required settings.
 - For PPPoE addressing, select PPPoE, and enter the username and password and any other required settings.

To configure the Primary and Secondary DNS server IP addresses

1. Go to **System > Network > Options**, enter the Primary and Secondary DNS IP addresses that you recorded above and select Apply.

To configure a Default Gateway

1. Go to **Router > Static** and select Edit icon for the static route.
2. Set Gateway to the Default Gateway IP address you recorded above and select OK.

Transparent mode

To switch from NAT/route mode to transparent mode

1. Go to **System > Config > Operation Mode** and select Transparent.
2. Set the Management IP/Netmask to 192.168.1.99/24.
3. Set a default Gateway and select Apply.

To change the administrator password

1. Go to **System > Admin > Administrators**.
2. Select Change Password for the admin administrator and enter a new password.

To change the management interface

1. Go to **System > Config > Operation Mode**.
2. Enter the Management IP address and netmask that you recorded above and select Apply.

To configure the Primary and Secondary DNS server IP addresses

1. Go to **System > Network > Options**, enter the Primary and Secondary DNS IP addresses that you recorded above and select Apply.

Factory default settings

NAT/Route mode	
Internal interface	192.168.1.99
WAN1 interface	192.168.100.99
WAN2 interface	192.168.101.99
DHCP server on Internal interface	192.168.1.110 – 192.168.1.210
Administrative account settings	
User name	admin
Password	(none)

To reset the FortiGate unit to the factory defaults, in the CLI type the command `execute factoryreset`

Command Line Interface

1. Use the RJ-45 to DB9 serial cable to connect the FortiGate Console port to the management computer serial port.
2. Start a terminal emulation program (HyperTerminal) on the management computer. Use these settings: Baud Rate (bps) 9600, Data bits 8, Parity None, Stop bits 1, and Flow Control None.
3. At the Login: prompt, type `admin` and press Enter twice (no password required).

NAT/Route mode

1. Configure the FortiGate MGMT1 interface.

```
config system interface
    edit MGMT1
        set ip <intf_ip>/<netmask_ip>
    end
```

2. Repeat to configure each interface, for example, to configure the Port 1 interface.

```
config system interface
    edit port1
        ...
```

3. Configure the primary and secondary DNS server IP addresses.

```
config system dns
    set primary <dns-server_ip>
    set secondary <dns-server_ip>
end
```

4. Configure the default gateway.

```
config router static
    edit 1
        set gateway <gateway_ip>
    end
```

Transparent Mode

1. Change from NAT/Route mode to Transparent mode and configure the Management IP address.

```
config system settings
    set opmode transparent
    set manageip <mng_ip>/<netmask>
    set gateway <gateway_ip>
end
```

2. Configure the DNS server IP address.

```
config system dns
    set primary <dns-server_ip>
    set secondary <dns-server_ip>
end
```